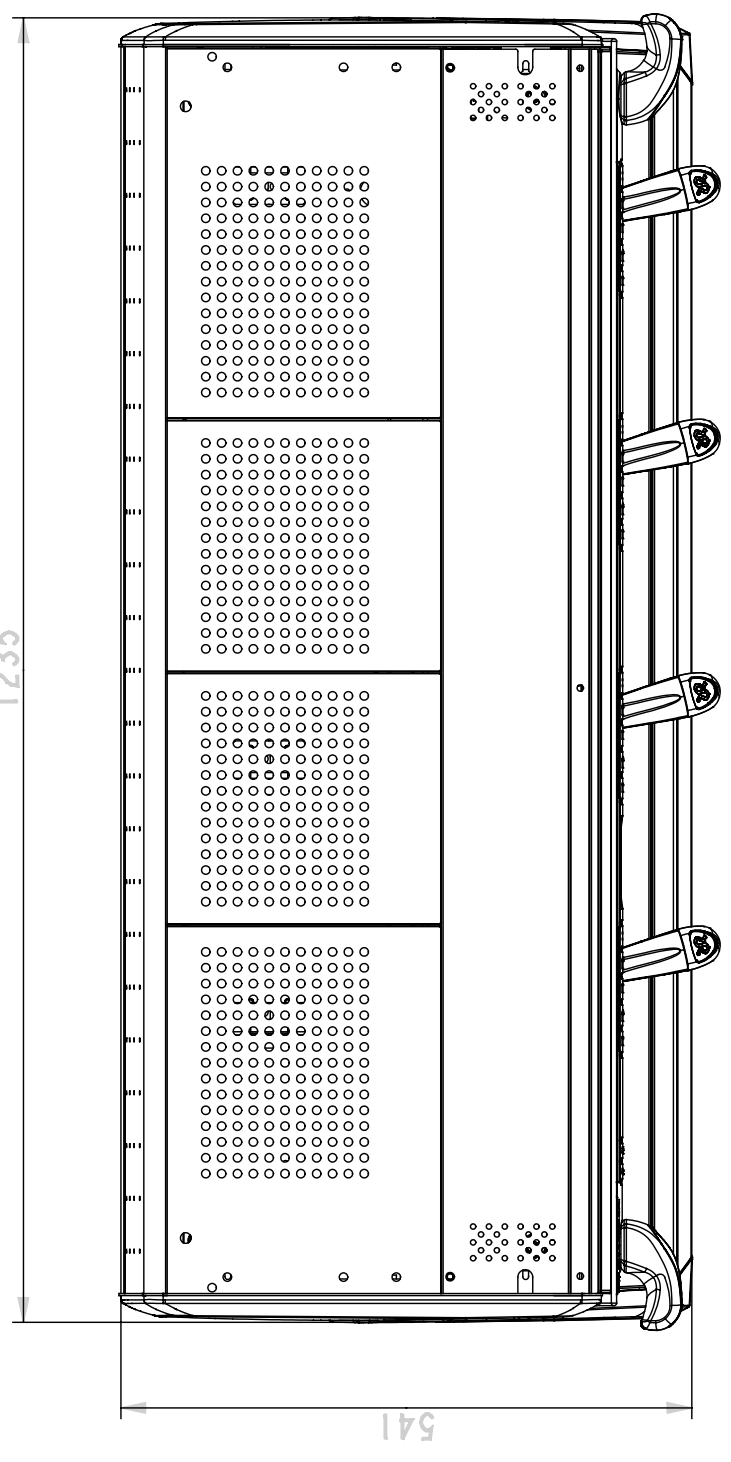
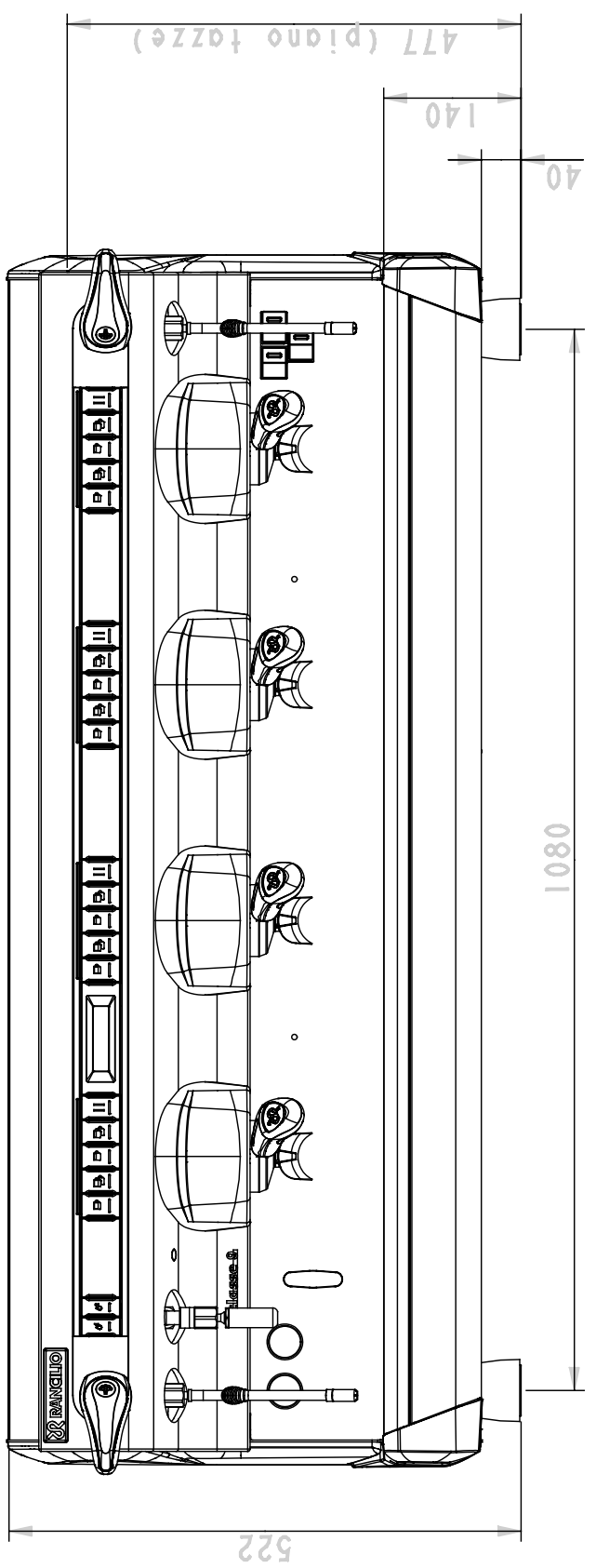
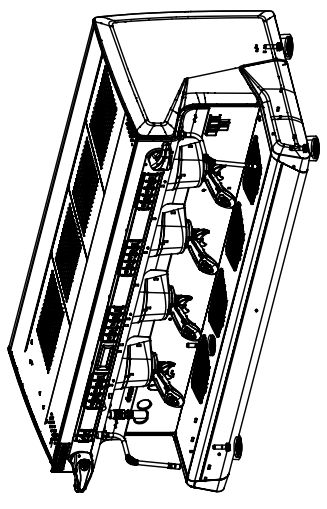
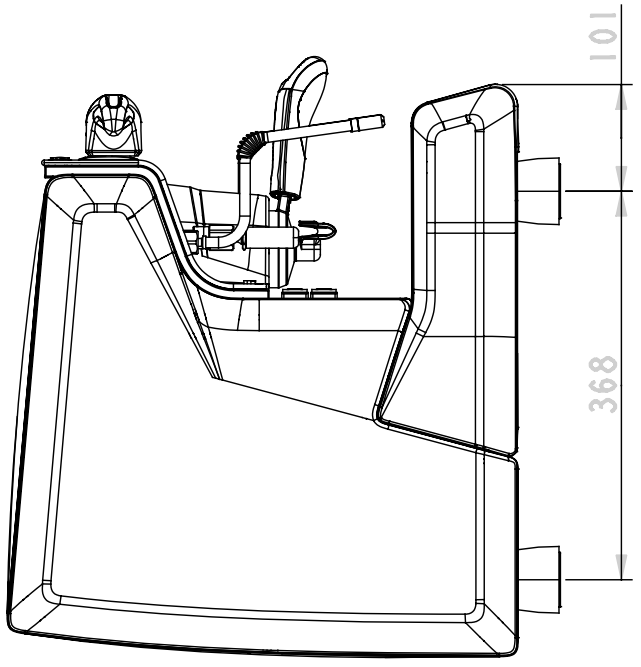


REV	CHANGE DESCRIPTION	DATE	DRAFTER	CTI

DRAFTER		CHECKER	MATERIAL	REV	SCALE	SIZE	SHEET
CTI		DATE	HEAT TREATMENT				
PROJECT		LAST ISSUE DATE		DRAWING NAME			
DWG NUMBER		CLASSE_9_4GR					
DWG STATUS							



THIS DOCUMENT IS IN ACCORDANCE TO : **SC 2.68 m**

METRIC DIMENSIONS SHOWN IN MM

Rancilio Group spa
 Viale della Repubblica 40 20010 Villastanza di Parabiago
 -MI- Italia tel +39 0331 408280 - Fax +39 0331 551497
www.rancilio.com

All proprietary rights reserved by Rancilio Group S.p.A. This drawing shall not be reproduced, or in any way utilized, for the manufacture of the component or unit herein, in whole or in part, without written consent. Any infringement will be legally pursued.