

REV	CHANGE DESCRIPTION	DATE	DRAFTER	CTI

MODIFICATIONS

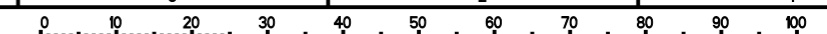
THIS DOCUMENT IS  
 IN ACCORDANCE TO :  
 - ISO 2768 mK

**METRIC**  
 DIMENSIONS SHOWN IN MM

**Rancilio Group spa**  
 Viale della Repubblica 40 20010 Villasonga di Parabiago  
 - MI - Italia Tel +39 0331 408200 - Fax +39 0331 551437  
[www.rancilio.com](http://www.rancilio.com)  
[www.egrocoffee.com](http://www.egrocoffee.com)

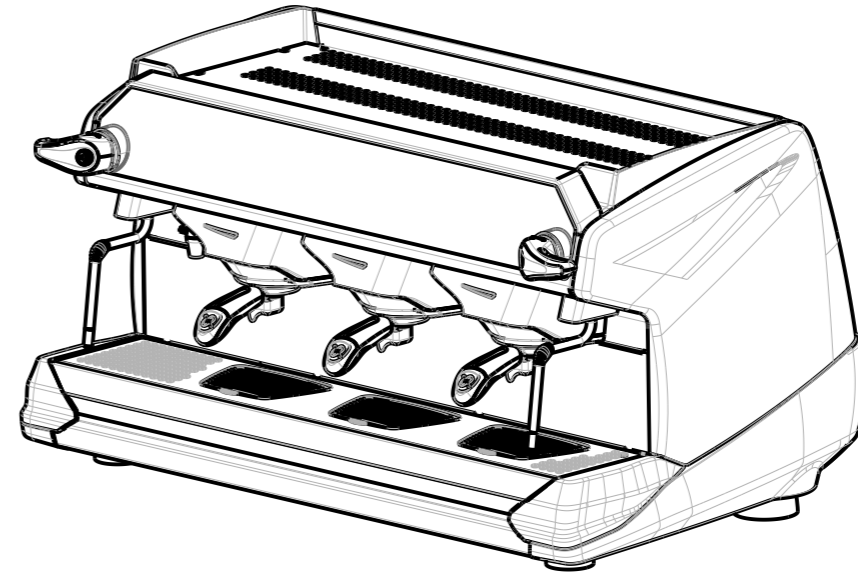
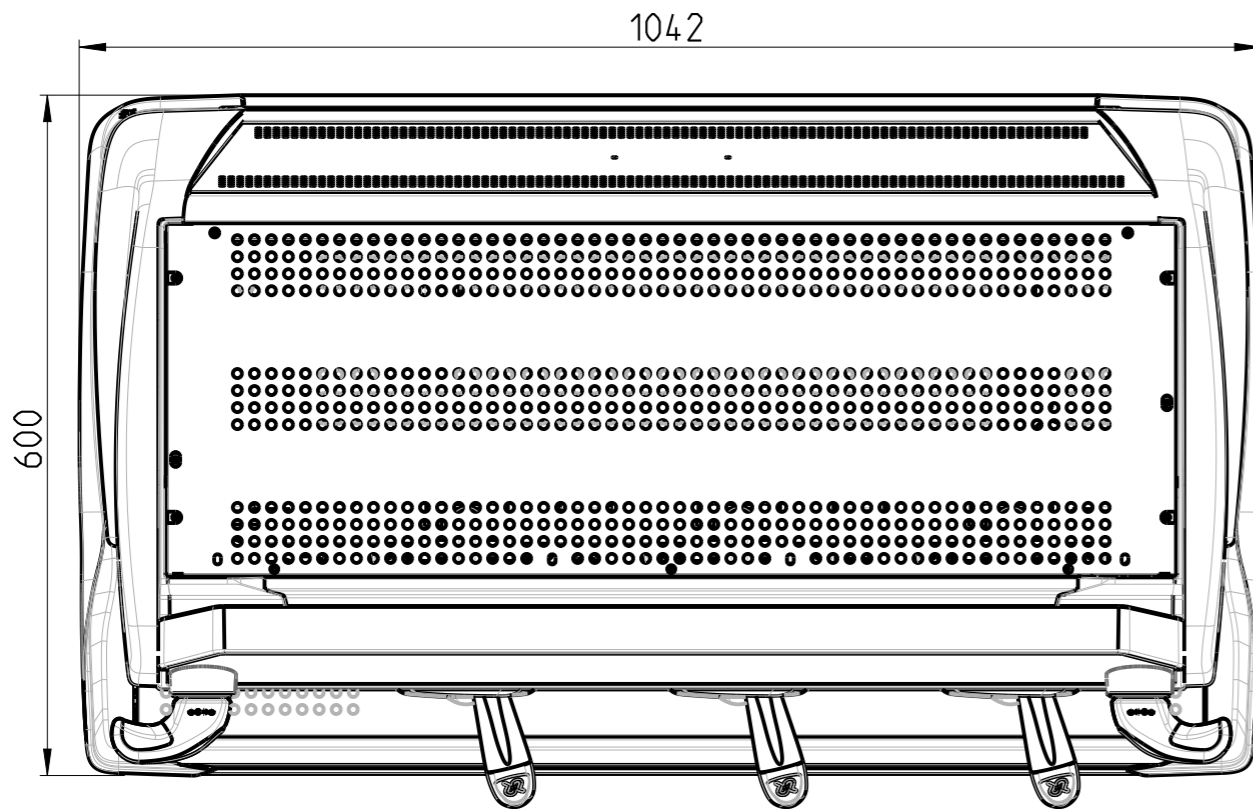
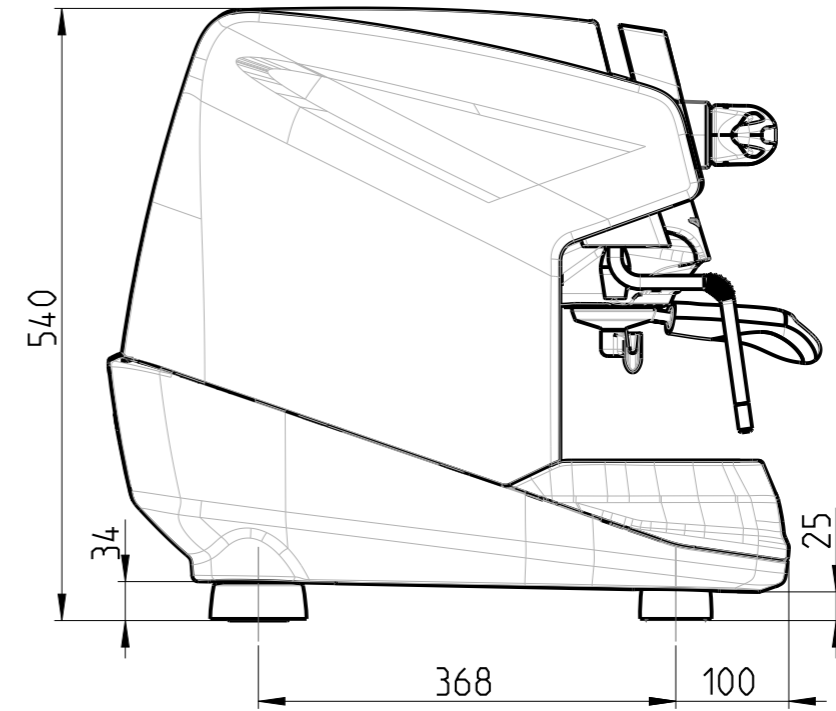
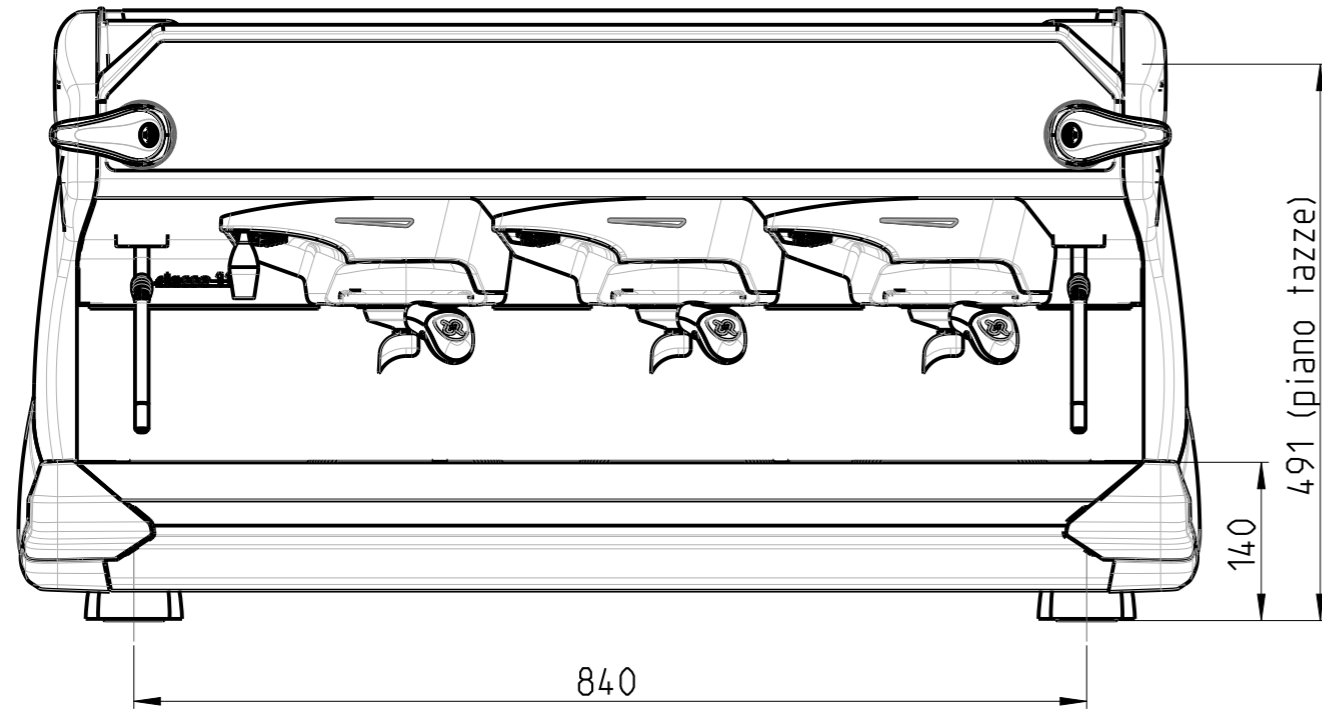
All proprietary rights reserved by Rancilio Group S.p.A.  
 This drawing shall not be reproduced, or in any way  
 utilized, for the manufacture of the component or unit  
 herein illustrated and must not be released to other  
 parties, without written consent.  
 Any infringement will be legally pursued

DRAFTER	CHECKER	MATERIAL		
CTI	DATE	HEAT TREATMENT		
PROJECT	LAST ISSUE DATE	SURF FINISH		
DWG NUMBER		DRAWING NAME		
CLASSE11_3GR				
DWG STATUS	REV	SCALE	SIZE	SHEET
		1:5	A3	1 of 1



RANCILIO GROUP PRODUCT ENGINEERING DESIGN AREA

CAD DRAWING - HANDLING ON CAD SYSTEM ONLY



REV	DATE	CTI	DESCRIPTION

MODIFICATIONS

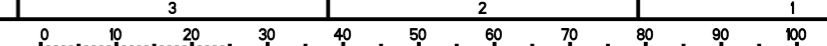
THIS DOCUMENT IS IN ACCORDANCE TO : - ISO 2768 mK

METRIC DIMENSIONS SHOWN IN MM

**Rancilio Group spa**  
Viale della Repubblica 40 20010 Villasonga di Parabiago - MI - Italia Tel +39 0331 408200 - Fax +39 0331 551437  
[www.rancilio.com](http://www.rancilio.com)  
[www.egrocoffee.com](http://www.egrocoffee.com)

All proprietary rights reserved by Rancilio Group S.p.A. This drawing shall not be reproduced, or in any way utilized, for the manufacture of the component or unit herein illustrated and must not be released to other parties, without written consent. Any infringement will be legally pursued.

DRAFTER CTI	CHECKER DATE	C.C.	MATERIAL
PROJECT	LAST ISSUE DATE	HEAT TREATMENT	
DWG NUMBER <b>CLASSE11_3GR</b>	SURF FINISH		
DWG STATUS	REV	SCALE 3:20	SIZE A3 SHEET 1 of 1



RANCILIO GROUP PRODUCT ENGINEERING DESIGN AREA

CAD DRAWING - HANDLING ON CAD SYSTEM ONLY