

CTI				
DRAFTER				
DATE				
REV				
CHANGE DESCRIPTION				

MODIFICATIONS

THIS DOCUMENT IS IN ACCORDANCE TO :
- ISO 2768 mK

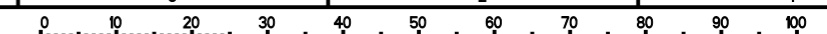
METRIC DIMENSIONS SHOWN IN MM

Rancilio Group spa
Viale della Repubblica 40 20010 Villasonga di Parabiago
- MI - Italia Tel +39 0331 408200 - Fax +39 0331 551437

www.rancilio.com
www.egrocoffee.com

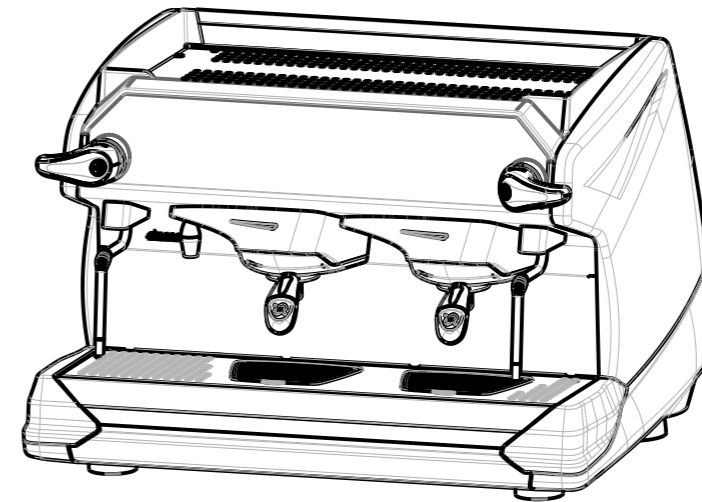
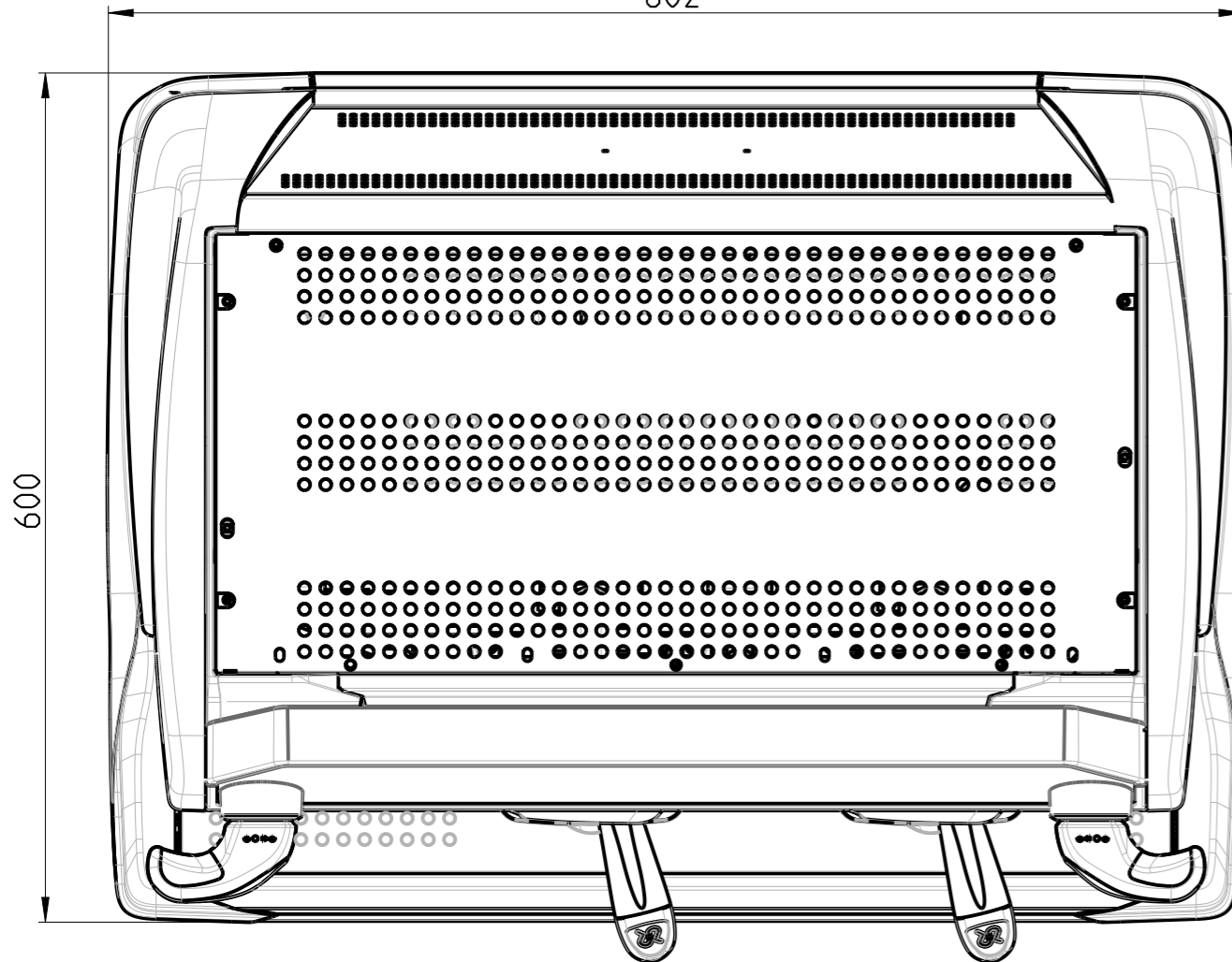
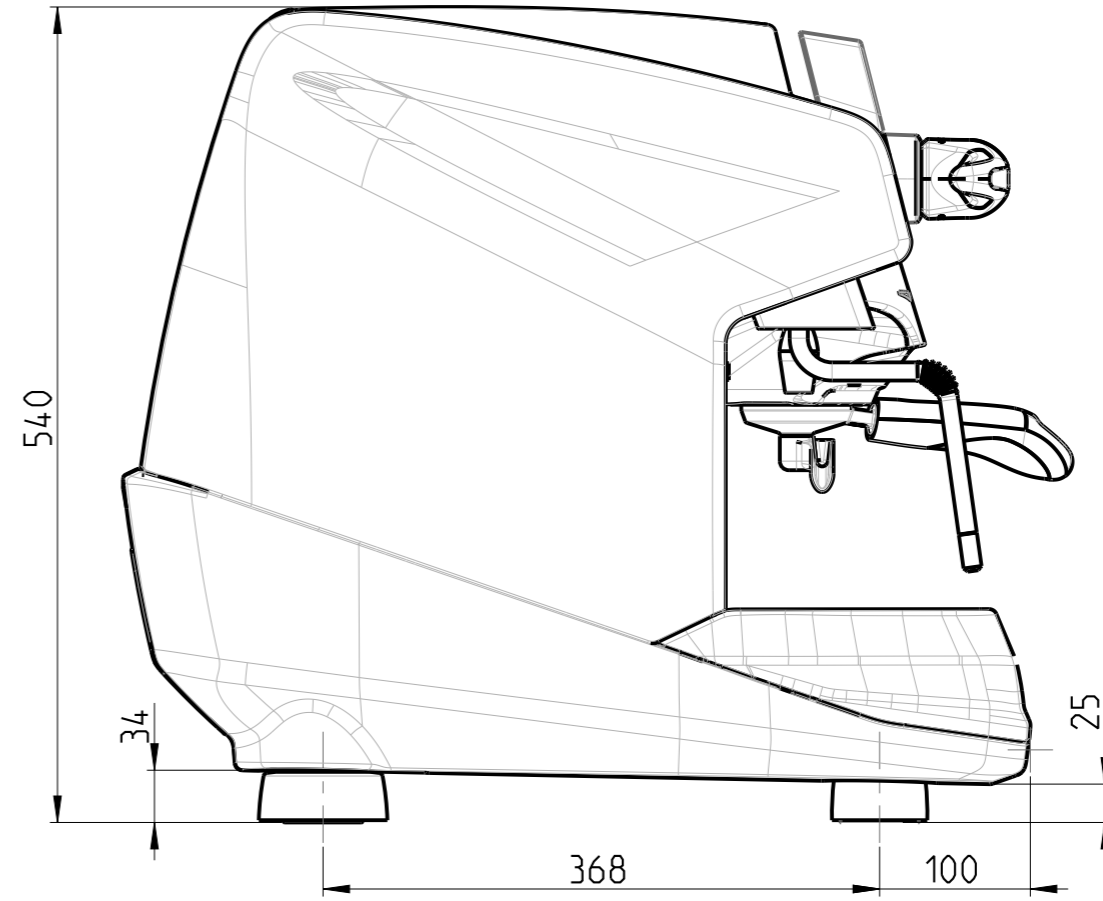
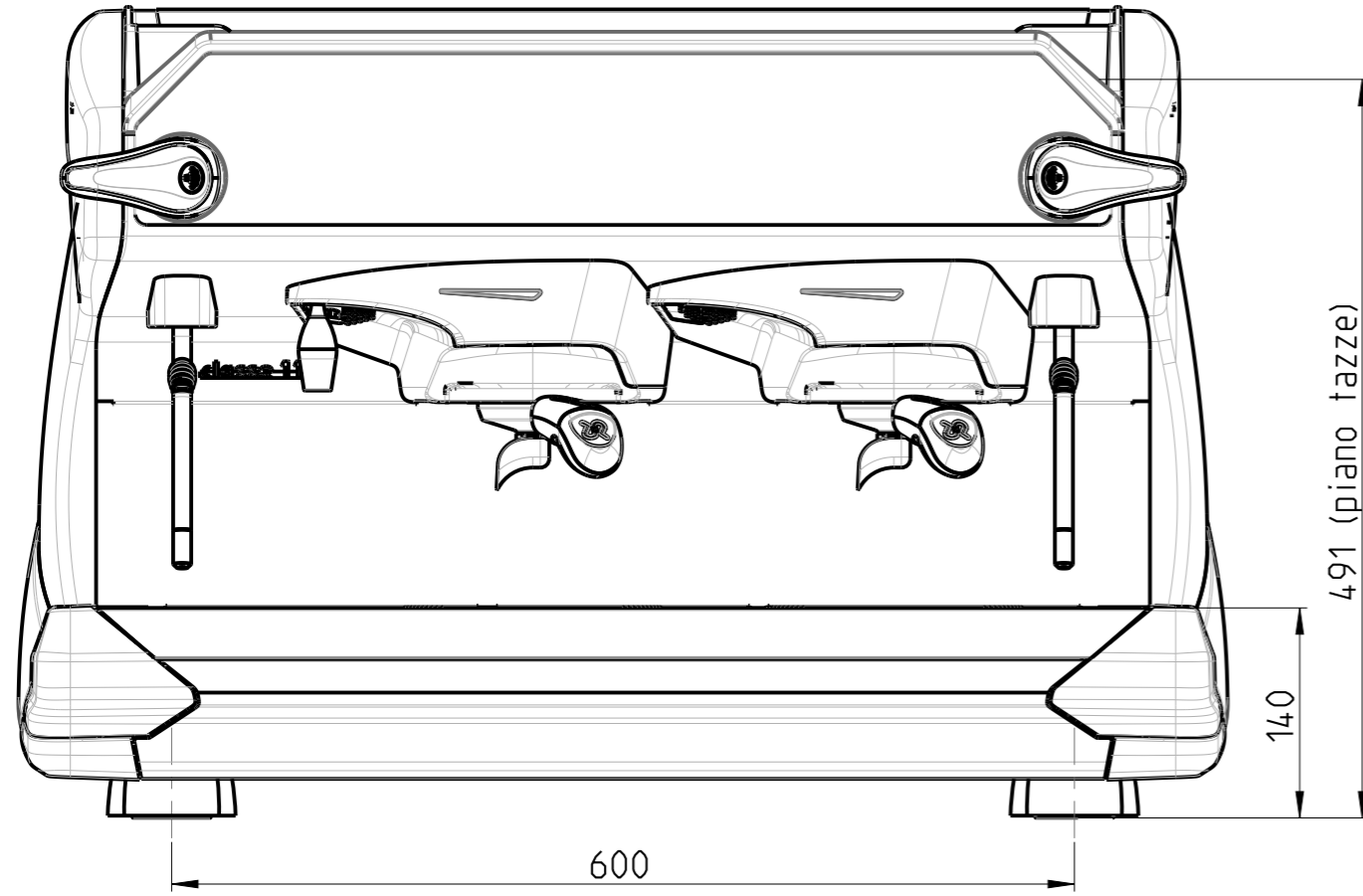
All proprietary rights reserved by Rancilio Group S.p.A. This drawing shall not be reproduced, or in any way utilized, for the manufacture of the component or unit herein illustrated and must not be released to other parties, without written consent. Any infringement will be legally pursued.

DRAFTER	CHECKER	C.C.	MATERIAL	
CTI	DATE		HEAT TREATMENT	
PROJECT	LAST ISSUE DATE		SURF FINISH	
DWG NUMBER			DRAWING NAME	
CLASSE11_2GR				
DWG STATUS	REV	SCALE	SIZE	SHEET
		1:4	A3	1 of 1



RANCILIO GROUP PRODUCT ENGINEERING DESIGN AREA

CAD DRAWING - HANDLING ON CAD SYSTEM ONLY



REV	CHANGE DESCRIPTION		CTI
	DATE	DRAFTER	

MODIFICATIONS

THIS DOCUMENT IS		METRIC		DRAFTER		CHECKER C.C.		MATERIAL	
IN ACCORDANCE TO :		DIMENSIONS SHOWN IN MM		CTI		DATE		HEAT TREATMENT	
- ISO 2768 mK		[Symbol]		PROJECT		LAST ISSUE DATE		SURF FINISH	
Rancilio Group spa Viale della Repubblica 40 20010 Villostonzo di Parabiago - MI - Italia Tel +39 0331 408200 - Fax +39 0331 551437 www.rancilio.com www.egrocoffee.com <small>All proprietary rights reserved by Rancilio Group S.p.A. This drawing shall not be reproduced, or in any way utilized, for the manufacture of the component or unit herein illustrated and must not be released to other parties, without written consent. Any infringement will be legally pursued.</small>				DWG NUMBER		DRAWING NAME			
				CLASSE11_2GR				DWG STATUS	
								1:5	
								A3	
								1 of 1	

