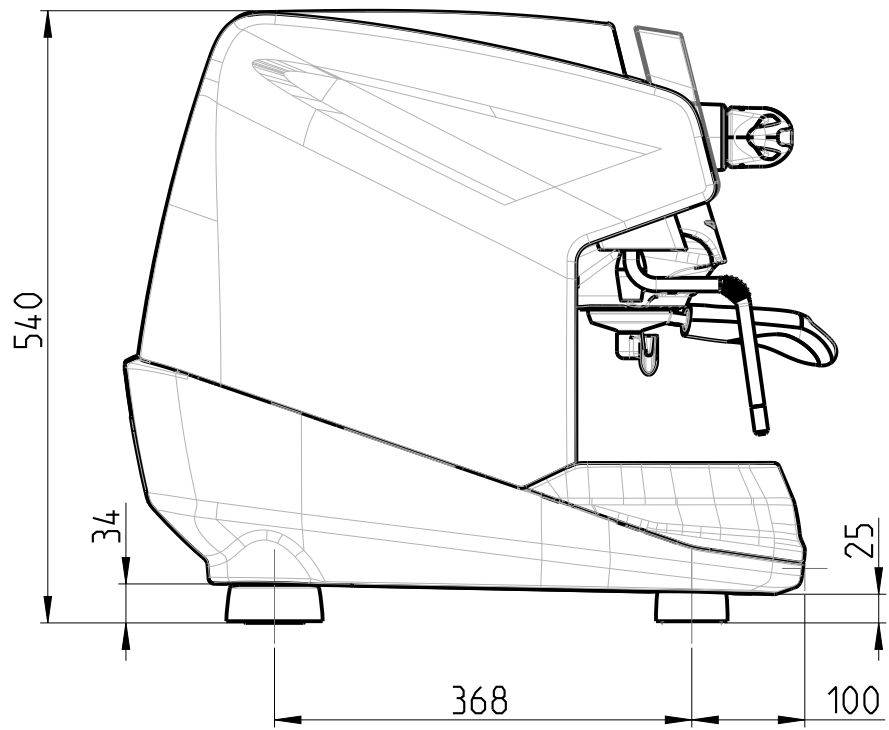


140  
491 (piano tazze)

1080



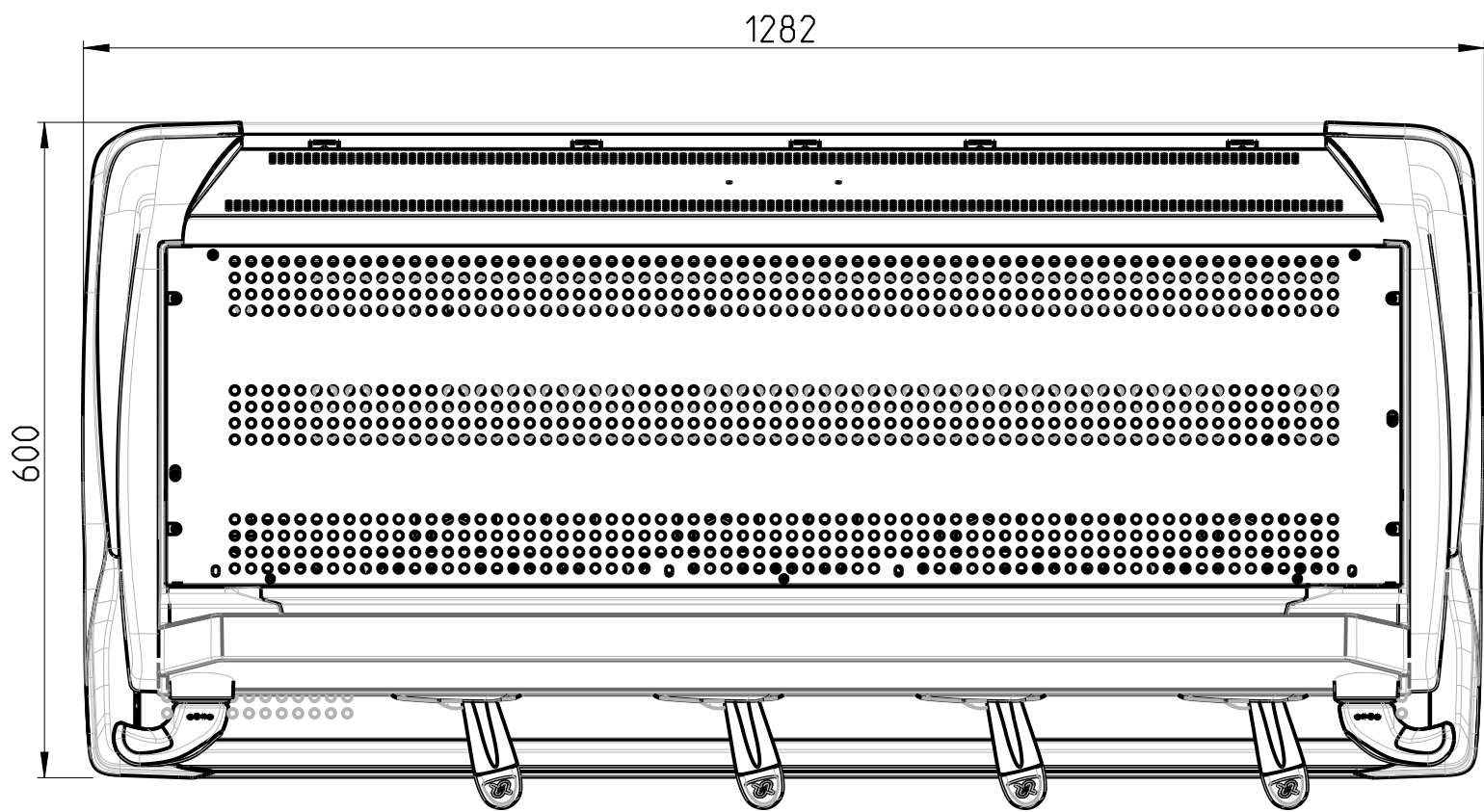
540

34

368

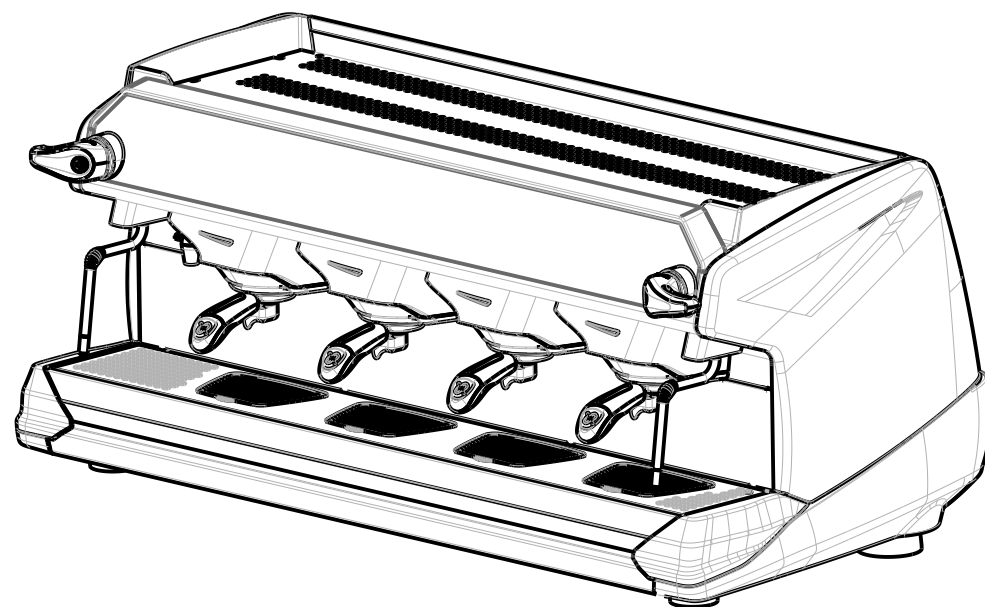
100

25



1282

600



CTI					
DRAFTER					
DATE					
CHANGE DESCRIPTION					
REV					
MODIFICATIONS					

THIS DOCUMENT IS IN ACCORDANCE TO :  
- ISO 2768 mK

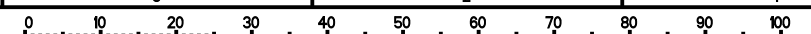
METRIC DIMENSIONS SHOWN IN MM

**Rancilio Group spa**  
Viale della Repubblica 40 20010 Villasonzo di Parabiago  
MI - Italia Tel +39 0331 408200 - Fax +39 0331 551437

[www.rancilio.com](http://www.rancilio.com)  
[www.egrocoffee.com](http://www.egrocoffee.com)

All proprietary rights reserved by Rancilio Group S.p.A. This drawing shall not be reproduced, or in any way utilized, for the manufacture of the component or unit herein illustrated and must not be released to other parties, without written consent. Any infringement will be legally pursued.

DRAFTER	CHECKER	C.C.	MATERIAL		
CTI	DATE		HEAT TREATMENT		
PROJECT	LAST ISSUE DATE		SURF FINISH		
DWG NUMBER			DRAWING NAME		
CLASSE11_4GR					
DWG STATUS	REV	SCALE	SIZE	SHEET	
		3:20	A3	1 of 1	



RANCILIO GROUP PRODUCT ENGINEERING DESIGN AREA

CAD DRAWING - HANDLING ON CAD SYSTEM ONLY